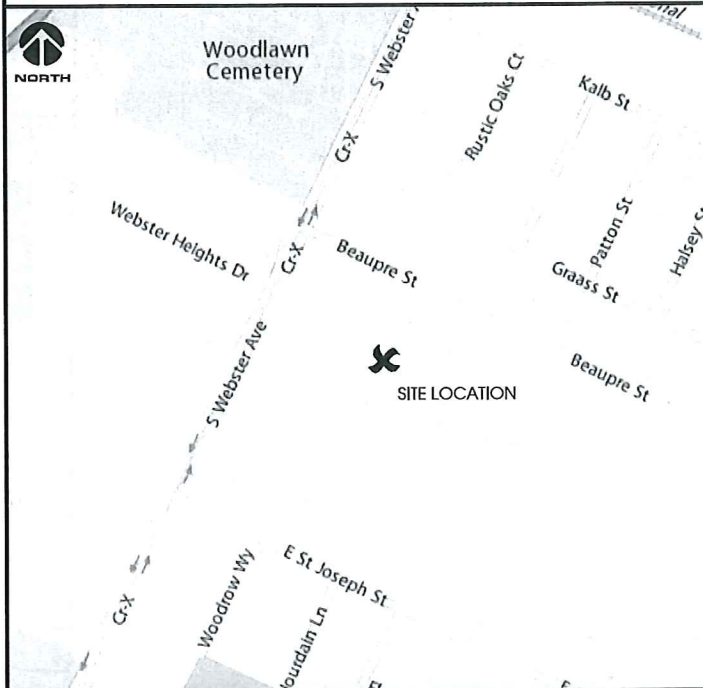




PREVEA WEBSTER GREEN BAY, WISCONSIN LTE INSTALLATION ROOFTOP JULY 2013

Edge Consulting Engineers, Inc.
624 Water Street
Prairie du Sac, WI 53578
608.644.1449 voice
608.644.1847 fax
www.edgeconsulting.com



SITE LOCATION MAPS



SHEET INDEX:	
NO.:	PAGE TITLE:
T-1	TITLE SHEET
C-1	SITE PLAN
C-2	ROOFTOP PLAN
A-1	BUILDING ELEVATION
A-2	ANTENNA DETAILS
A-3	COAX ROUTING DETAILS
* PREPARED BY OTHERS	

PROJECT DIRECTORY:

CLIENT:
NSIGHTEL WIRELESS, LLC
450 SECURITY BLVD
GREEN BAY, WI 54313
CONTACT: DAVE PASCH
PHONE: 920.617.7046

ENGINEER:
EDGE CONSULTING ENGINEERS, INC.
624 WATER STREET
PRAIRIE DU SAC, WI 53578
CONTACT: KEN BAUMGARDT
PHONE: 608.644.1449

SITE ACQUISITION:
WIRELESS PLANNING SOLUTIONS
2310 MILL STREET
NEW LONDON, WI 54961
CONTACT: JIM WEINMANN
PHONE: 920.982.3286

PROJECT INFO:

SITE LOCATION:
1821 S. WEBSTER AVE.
GREEN BAY, WI 54301

PROPERTY OWNER:
PREVEA HEALTH
1821 S. WEBSTER AVE.
GREEN BAY, WI 54301

1A INFORMATION
SEE STAMPED 1A CERTIFICATION

LTE ADDITION SCOPE

EXISTING ANTENNAS: (2) EXISTING OMNI ANTENNAS.
PROPOSED ANTENNAS: (3) PROPOSED PANEL ANTENNAS.
EXISTING COAX: (2) EXISTING 1/2" COAX.
PROPOSED COAX: (3) PROPOSED 7/8" HYBRID COAX.
EXISTING ICE BRIDGE: NEW ROOFTOP CABLE TRAYS REQUIRED.
EXISTING ANTENNA FRAME: NEW BALLAST FRAMES REQUIRED.

STRUCTURAL REVIEW NOTE

TOWER STRUCTURAL ANALYSIS COMPLETED BY STRUCTURAL ENGINEER. REFER TO ANALYSIS BY:
EDGE CONSULTING ENGINEERS, INC.
REPORT #: (A) PRELIMINARY ANALYSIS
CONTRACTOR TO REVIEW STRUCTURAL REPORT IN ITS ENTIRETY. ANY DISCREPANCIES OR DISAGREEMENTS BETWEEN THE REPORT AND THESE PLANS SHOULD BE RESOLVED PRIOR TO CONSTRUCTION.

TO OBTAIN LOCATION OF PARTICIPANTS' UNDERGROUND FACILITIES BEFORE YOU DIG IN WISCONSIN, CALL DIGGER'S HOTLINE

TOLL FREE
1-800-242-8511
FAX A LOCATE 1-800-338-3860

WIS. STATUTE 182.0175 (1974) REQUIRES MIN. OF 3 WORK DAYS NOTICE BEFORE YOU EXCAVATE.

ENGINEER SEAL:

PRELIMINARY - NOT FOR CONSTRUCTION

I HEREBY CERTIFY THAT THIS PLAN SET WAS PREPARED BY ME OR UNDER MY DIRECT SUPERVISION OTHER THAN THE EXCEPTIONS NOTED IN THE SHEET INDEX, AND THAT I AM A DULY LICENSED PROFESSIONAL ENGINEER UNDER THE LAWS OF THE STATE OF WISCONSIN.

Signature: _____
Date: _____

**TITLE SHEET
PREVEA WEBSTER
GREEN BAY, WISCONSIN**

SHEET TITLE:

ISSUE DATE:	PRELIM CD's - 6/26/2013
REV. ANTENNA LOCATION - 8/6/2013	
REVISIONS:	
DRAWN BY:	AJE, ADS
CHECKED BY:	KCB
PLOT DATE:	8/6/2013
PROJECT NUMBER:	9040
FILE NAME:	T-1.dgn
SHEET NUMBER:	T-1



S WEBSTER AVE

ASPHALT PARKING LOT

EXISTING PREVEA ALLOUEZ HEALTH CENTER BUILDING

PROPOSED ANTENNA BALLAST FRAME (TYP. OF 3); SEE PAGE A-2 FOR DETAIL

UPPER ROOF

LOWER ROOF

EXISTING ANTENNA BALLAST FRAME; TO BE REMOVED

PARKING GARAGE

ASPHALT PARKING LOT

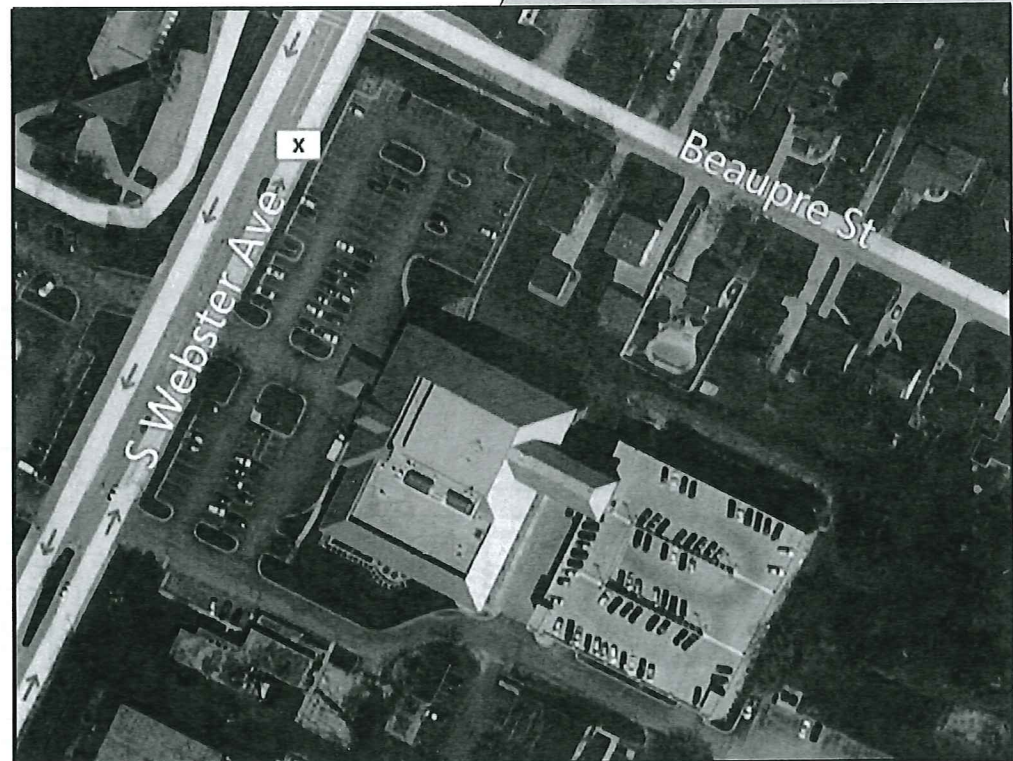
EXISTING BUILDING

ASPHALT PARKING LOT

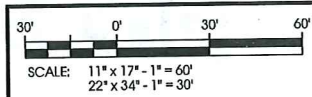
ASPHALT PARKING LOT

EXISTING BUILDING

ASPHALT PARKING LOT



AERIAL OVERVIEW OF SITE



Edge
Consulting Engineers, Inc.
624 Weber Street
Prairie du Sac, WI 53578
608.644.1449 voice
608.644.1549 fax
www.edgeconsult.com

SITE PLAN
PREVEA WEBSTER
GREEN BAY, WISCONSIN

SHEET TITLE:

ISSUE DATE:
PRELIM CD'S - 6/26/2013
REV. ANTENNA LOCATION - 8/6/2013

REVISIONS:

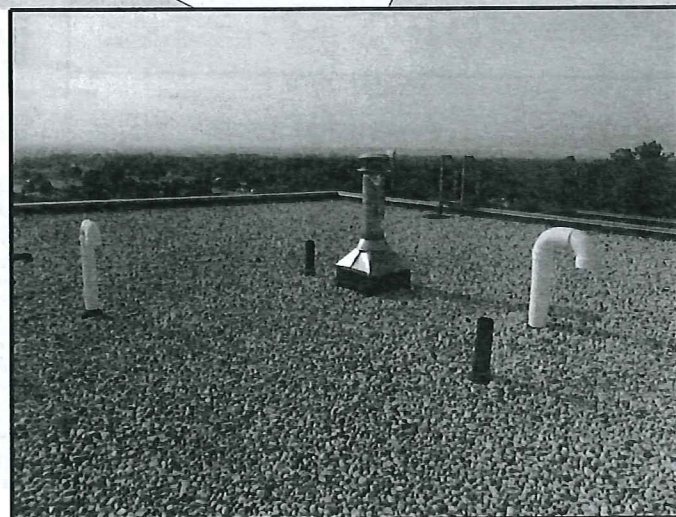
DRAWN BY:
AJE, ADS
CHECKED BY:
KCB
PLOT DATE:
8/6/2013
PROJECT NUMBER:
9040
FILE NAME:
C-1.dgn

SHEET NUMBER:
C-1

I:\9000\9040\CAD\Plot\11E\C-1.dgn

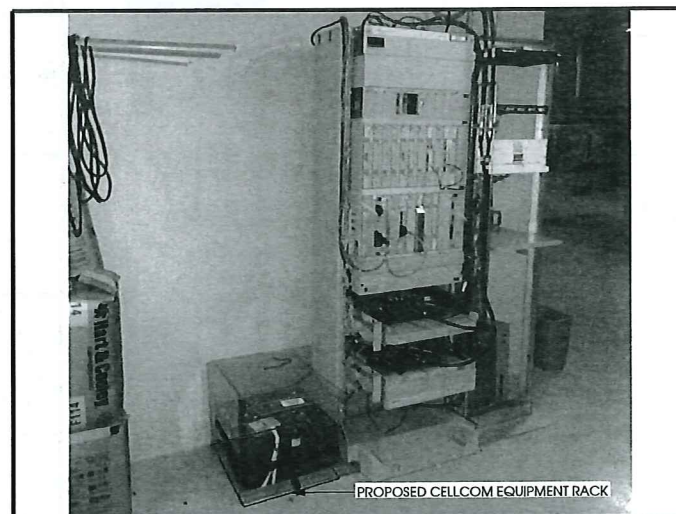


**ROOFTOP PLAN
PREVEA WEBSTER
GREEN BAY, WISCONSIN**



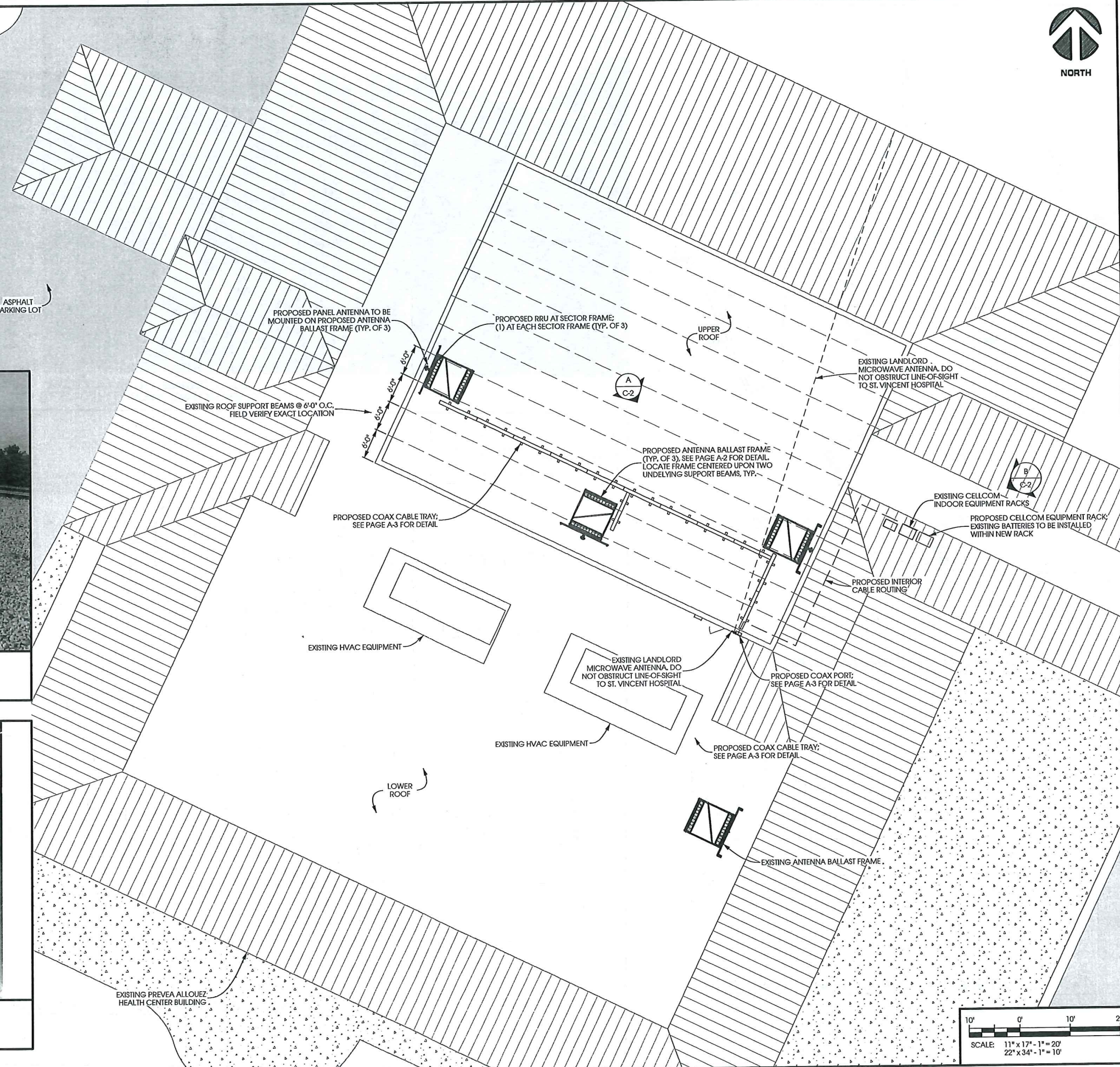
A
C-2

**ROOFTOP OVERVIEW
(LOOKING SOUTHEAST)**



B
C-2

**EXISTING CELLCOM
INDOOR EQUIPMENT**



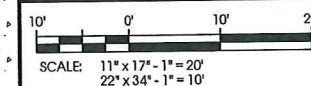
SHEET TITLE:

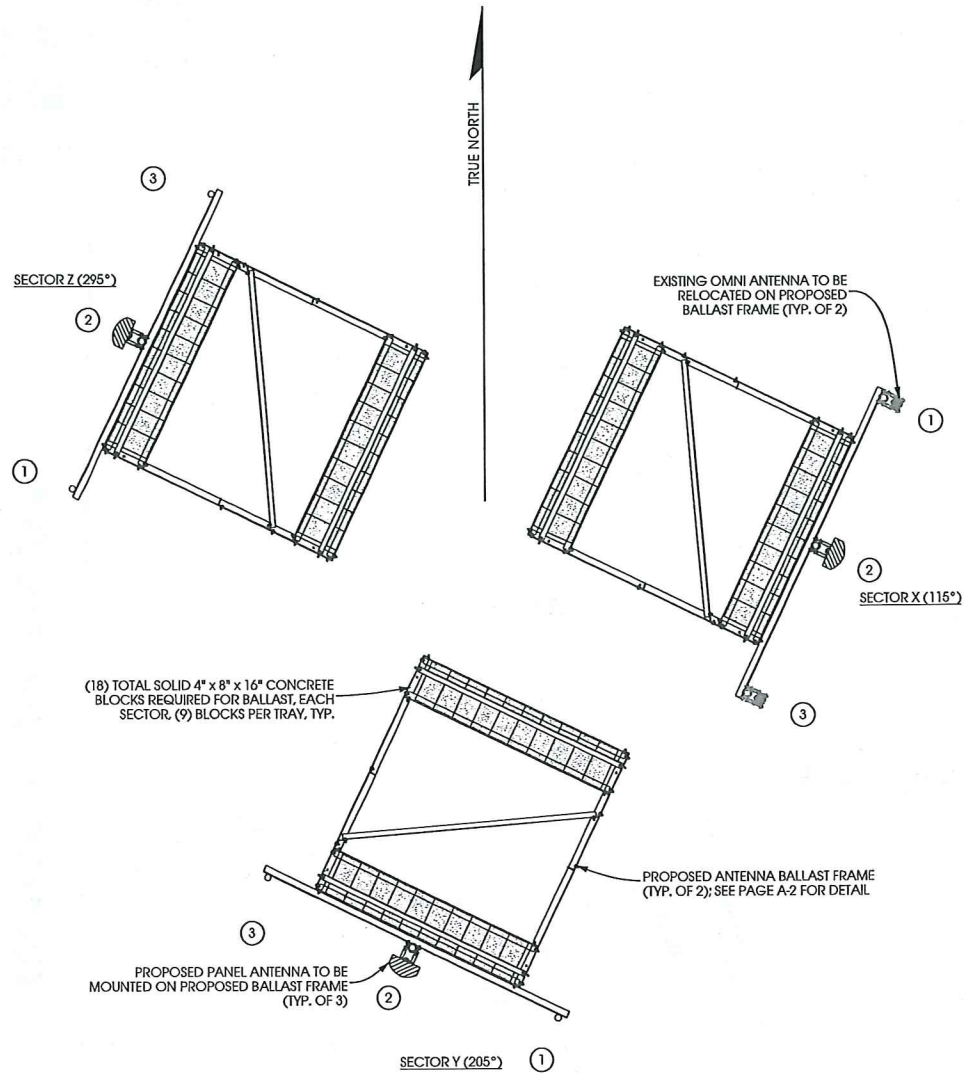
ISSUE DATE:
PRELIM CD's - 6/26/2013
REV. ANTENNA LOCATION - 8/5/2013

REVISIONS:

DRAWN BY:
A.JE, ADS
CHECKED BY:
KCB
PLOT DATE:
8/5/2013
PROJECT NUMBER:
9040
FILE NAME:
C-2.dgn

SHEET NUMBER:
C-2





ANTENNA ORIENTATION

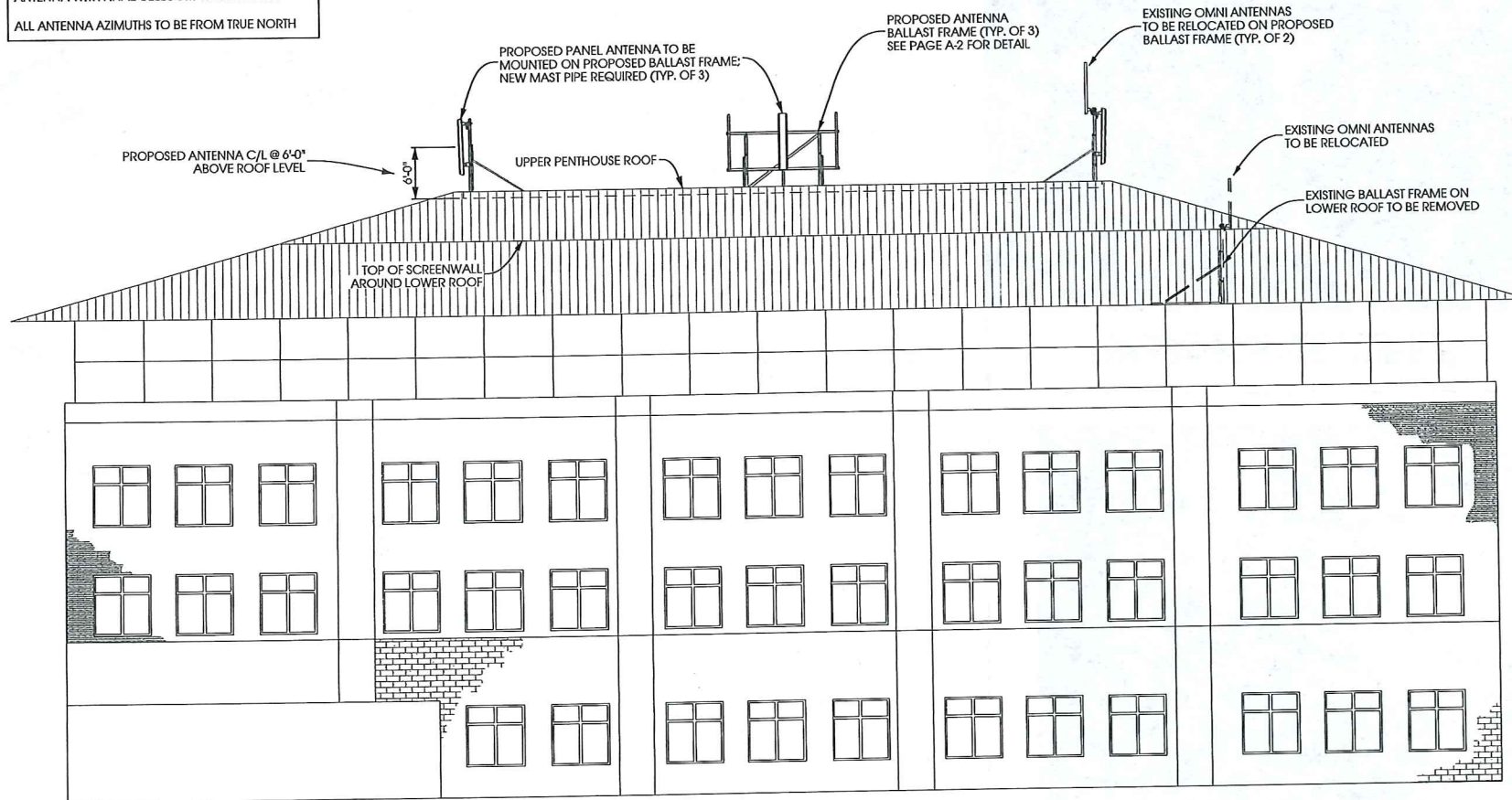
	ANTENNA ID	MAKE AND MODEL	AZIMUTH	ANT. HEIGHT	CABLE LENGTH	CABLE DIAM.	
115° SECTOR X	1	OMNI ANTENNA	115°	65'	110'	1/2"	EXISTING
	2	KATHREIN 800_10511V01	115°	65'	110'	7/8"	PROPOSED
	3	OMNI ANTENNA	115°	65'	110'	1/2"	EXISTING
205° SECTOR Y	1	KATHREIN 800_10511V01	205°	65'	155'	7/8"	PROPOSED
	2	KATHREIN 800_10511V01	205°	65'	155'	7/8"	PROPOSED
	3	KATHREIN 800_10511V01	205°	65'	155'	7/8"	PROPOSED
295° SECTOR Z	1	KATHREIN 800_10511V01	295°	65'	190'	7/8"	PROPOSED
	2	KATHREIN 800_10511V01	295°	65'	190'	7/8"	PROPOSED
	3	KATHREIN 800_10511V01	295°	65'	190'	7/8"	PROPOSED

A ANTENNA PLATFORM ASSIGNMENT
SCALE: NTS



**BUILDING ELEVATION
(LOOKING NORTHEAST)**

NOTES:
CONTRACTOR TO VERIFY HEIGHT AND DIRECTION OF ANTENNA WITH FINAL CELLCOM WORK ORDER
ALL ANTENNA AZIMUTHS TO BE FROM TRUE NORTH



B BUILDING PROFILE (SOUTHWEST ELEVATION)
SCALE: 11 x 17 - 1" = 20'-0"
22 x 34 - 1" = 10'-0"

SHEET TITLE:

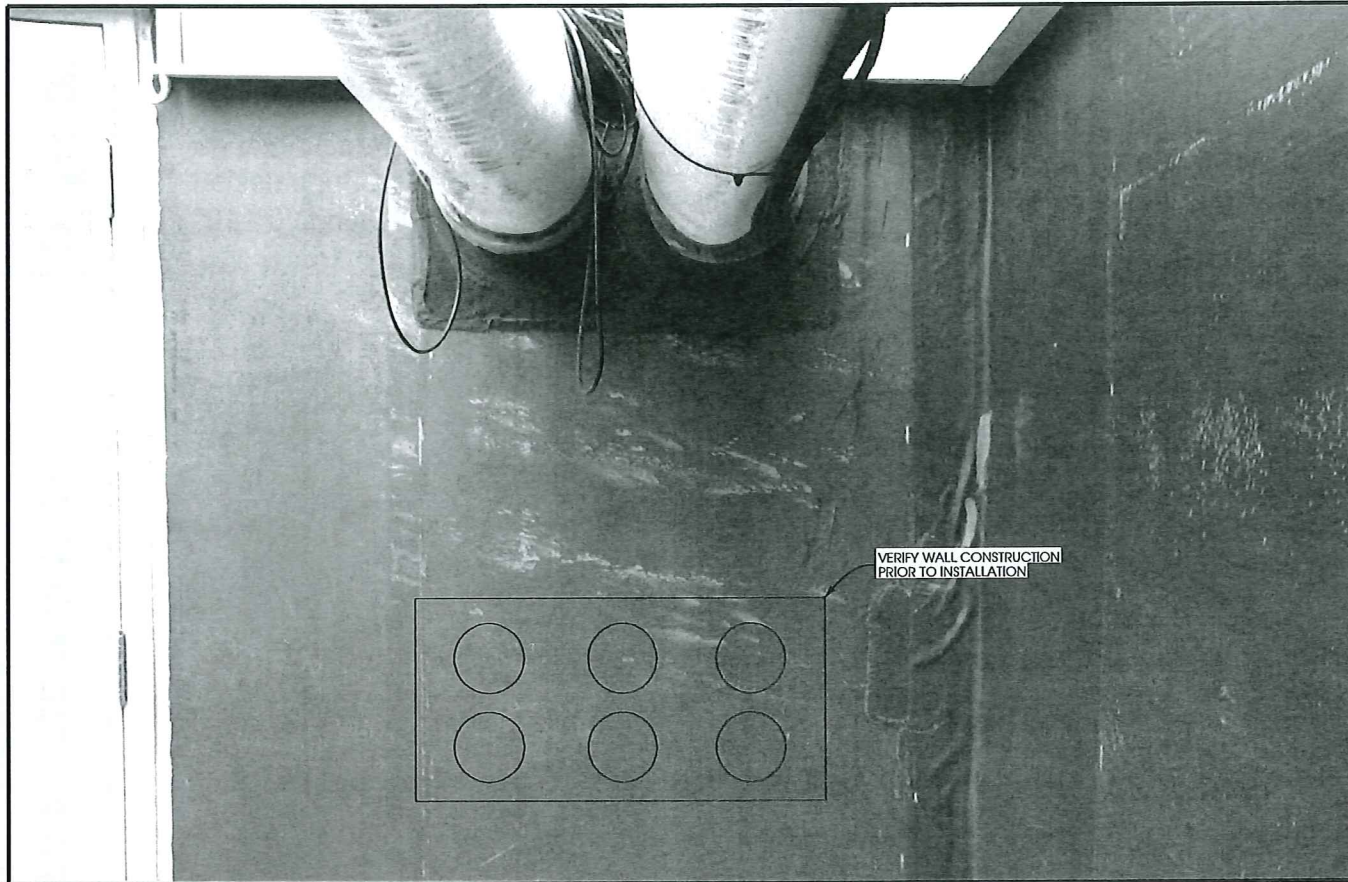
ISSUE DATE:
PRELIM CD's - 6/26/2013
REV. ANTENNA LOCATION - 8/6/2013

REVISIONS:

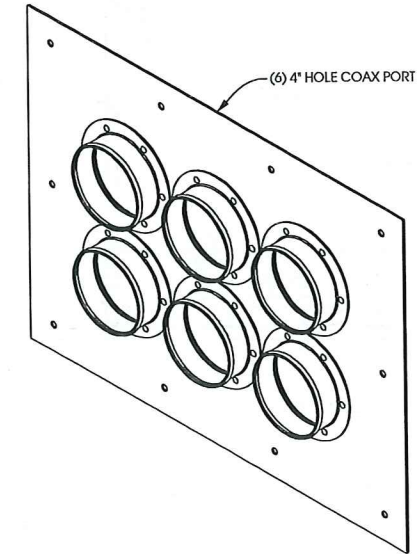
DRAWN BY:
A/E, ADS
CHECKED BY:
KCB
PLOT DATE:
8/6/2013
PROJECT NUMBER:
9040
FILE NAME:
A-1.dgn

SHEET NUMBER:

A-1

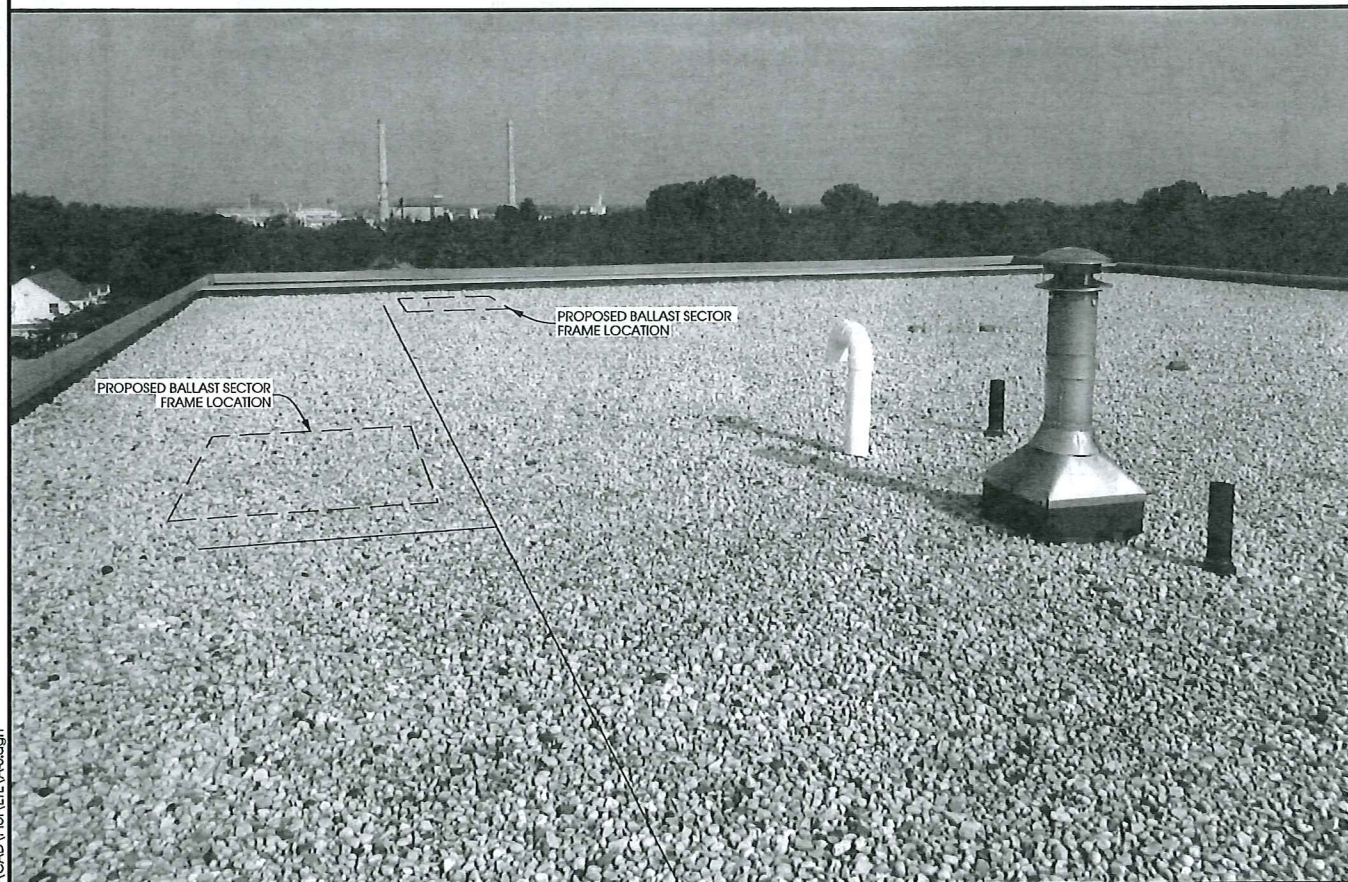


PROPOSED COAX PORT LOCATION



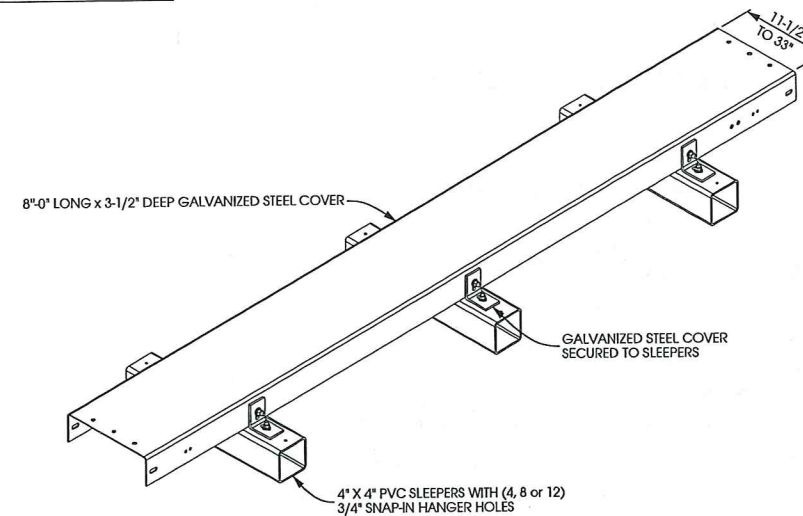
ANDREW COAX ENTRY PORT:
 PART #: 204673-6
 - PLATE SIZE: 9.5" x 15"
 - WALL OPENING: 17.5" x 23"
 * USE 4" BOOT ASSEMBLY KITS *

A COAX ENTRY PORT DETAIL
 A-3 SCALE: NTS



PROPOSED CABLE TRAY ROUTING

SITE PRO 1 ROOFTOP COAX KIT (FOR SINGLE-STACKING COAX):
 # SP1542 (4) 3/4" HOLES FOR SNAP-IN BRACKETS
 # SP1543 (8) 3/4" HOLES FOR SNAP-IN BRACKETS
 # SP1595 (12) 3/4" HOLES FOR SNAP-IN BRACKETS
 INCLUDES (2) SIDE BY SIDE COVERS
 * KIT INCLUDES (3) SLEEPERS AND HARDWARE
 ** RUBBER MATS NOT INCLUDED



B ROOF-TOP COAX TRAY KIT DETAIL
 A-3 SCALE: NTS

COAX ROUTING DETAILS
PREVEA WEBSTER
GREEN BAY, WISCONSIN

SHEET TITLE:	
ISSUE DATE:	
PRELIM CD's - 6/26/2013	
REV. ANTENNA LOCATION - 8/6/2013	
REVISIONS:	
DRAWN BY:	AJE, ADS
CHECKED BY:	KCB
PLOT DATE:	8/6/2013
PROJECT NUMBER:	9040
FILE NAME:	A-3.dgn
SHEET NUMBER:	A-3